

Overview

Holding magnet for demanding industrial applications. Precision type, generation 2.1, designed for high holding forces. Easy installation with metrical central thread, positive-locking possible. Holding when power on.



- Rated holding force: ≥ 2500 N
- Weight: ca. 1100 g
- Rated power: ca. 15 Watt (100%, 20°C)

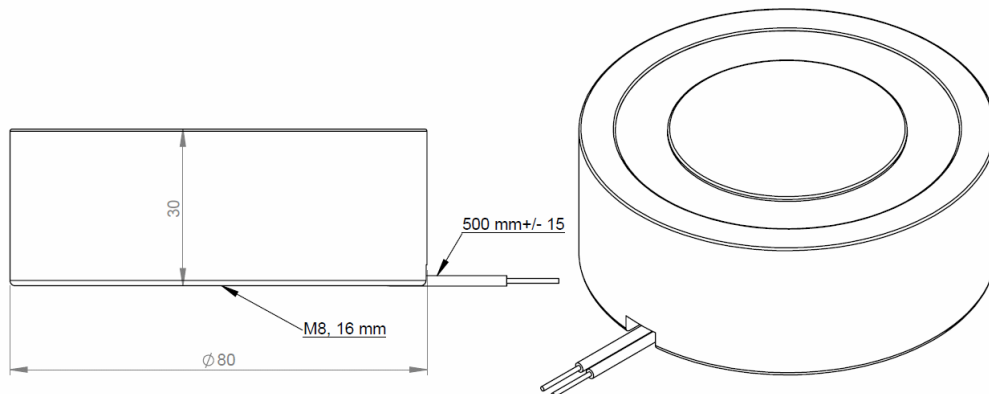
Features

- Winding for rated voltages from ca. 5 VDC bis 205 VDC possible
- High dimension/force relation
- Minimized operation costs due to low power consumption
- Low saturation temperature
- Connecting wires can be laid straight and sideward
- Overdrive for higher forces possible
- Custom specific modifications possible (increased corrosion resistance, abrasion resistance, individual wire assembly, etc.)

Technical values

- Anchorplate: ≥ 12 mm, APR-series
- Insulation class: F
- Protection type: IP 65
- conformities: RoHS, ISO9001

Drawing



Environment Responsibility



Disposal must be made according to official regulations. Electric equipment and electronic components may not be disposed of in the domestic waste

Application Notes

- Clean the contact surface before first use
- Careless handling may cause serious injuries due to high forces
- Installation and connection by skilled personnel only.
- After installation, the safety and function of the device must be checked by skilled personnel only
- Provide protection from humidity and aggressive media
- Avoid overheating
- Avoid damages to the contact surface
- The rated power may vary depending on the rated voltage
- Maximum holding forces require a complete contact of the anchor plate at 0 mm gap